

Specification and Drawing of the vessel

(P.I No. 181700.50/OR; Item Code 4350052)
to be approved

Mixing Vessel Type 1 (Large Vessel 700 L / Dia 940 mm)

Movable Vessel

Mixing container suitable for press-out system.

Type: 940

Gross volume: 700 l

Material: Stainless Steel -SS 304

Inside diameter: 940mm 0/+3.0mm

Outside diameter: 990mm 0/+3.0mm

Inside height: 1005mm 0/+3.0mm

Overall height: 1205mm 0/+3.0mm

With upper rim strengthened.

With 1 fixed- and 2 caster wheels.

Inside: inside sanded welds (smooth with K150)
upper surface of strengthened rim ground with K120.

Outside: Paint finish gray, RAL-7037

Without suspension pivots

Floor reinforced by a plate and ribbed

With eccentric discharge pipe, Size 2 1/2".

With ball valve size: 2 1/2"

Material of ball valve: stainless

With attachable flange, Size 2 1/2"

For fastening the feeder valve.

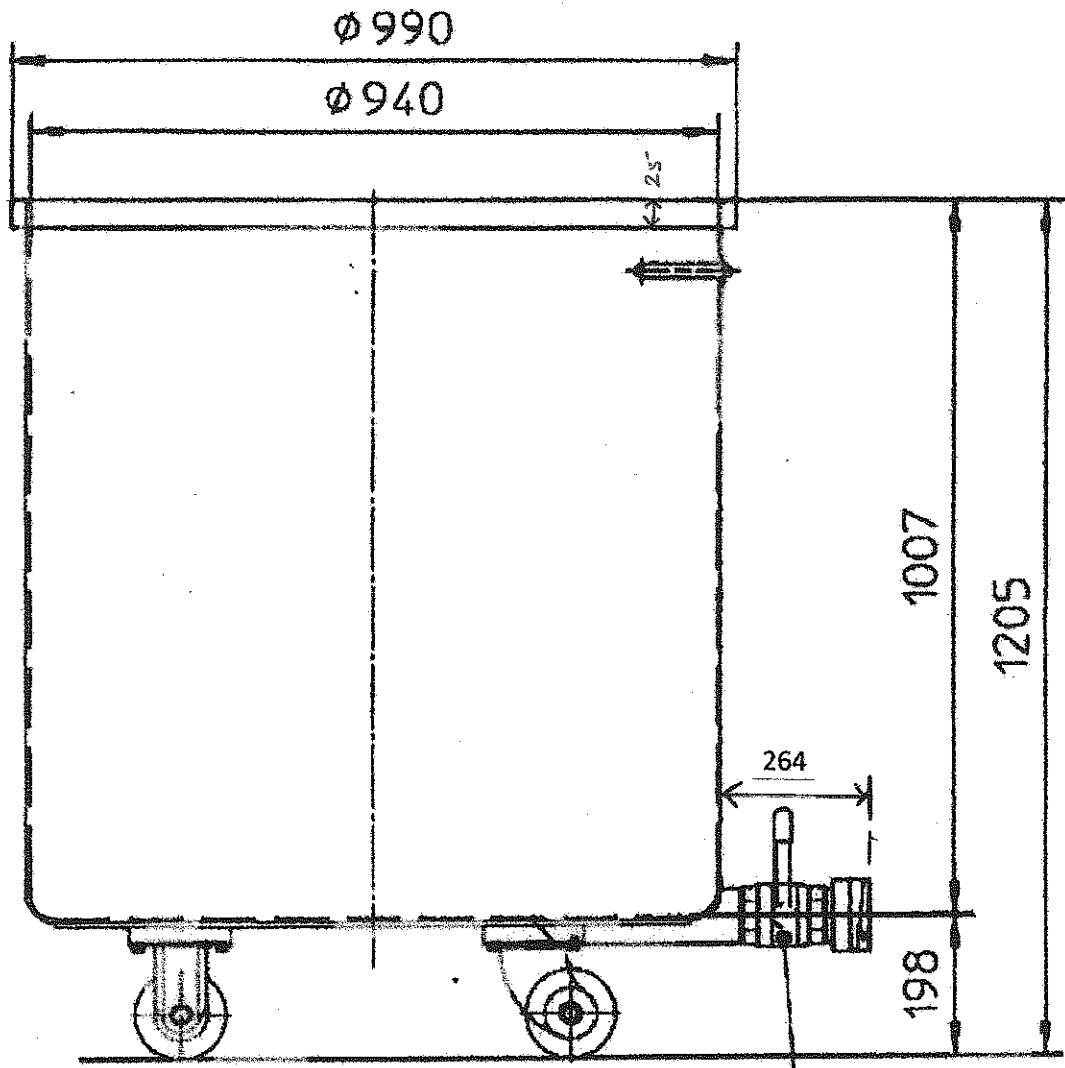
With valve retaining clip.

For fixing the feeder valve.

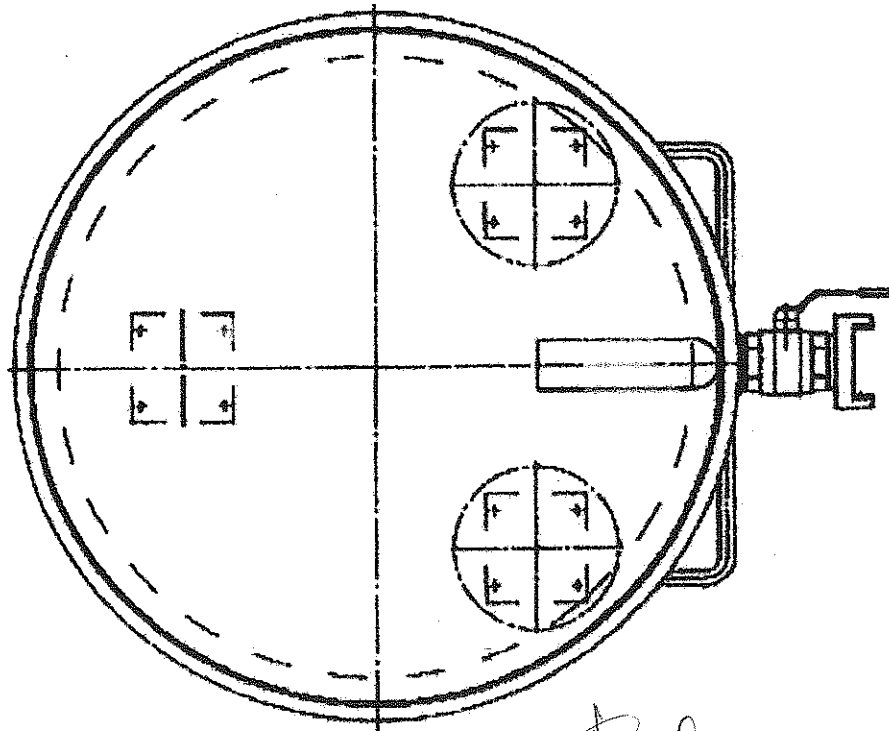
Decker
26/11/18

mees
21.11.2018

Dimension sheet



G2½" RF



Sahu
26/11/18

Mishra
21.11.2018

Specification and Drawing of the vessel

(P.E. No. 18170050/OR; Item Code: 4350052)

Mixing Vessel Type 2 (Medium Vessel 270 L / Dia 700 mm)

Movable Vessel

Mixing container suitable for press-out system.

Type: 700

Gross volume: 270l

Material: Stainless Steel -SS 304

Inside diameter: 700mm 0/+3.0mm

Outside diameter: 748mm 0/+3.0mm

Inside height: 700mm 0/+3.0mm

Overall height: 855mm 0/+3.0mm

With upper rim strengthened.

With 1 fixed- and 2 caster wheels.

Inside: inside sanded welds (smooth with K150)
upper surface of strengthened rim ground with K120.

Outside: Paint finish gray, RAL-7037

Without suspension pivots

Floor reinforced by a plate

With eccentric discharge pipe, Size 2".

With ball valve size: 2"

Material of ball valve: stainless

With attachable flange, Size 2"

For fastening the feeder valve.

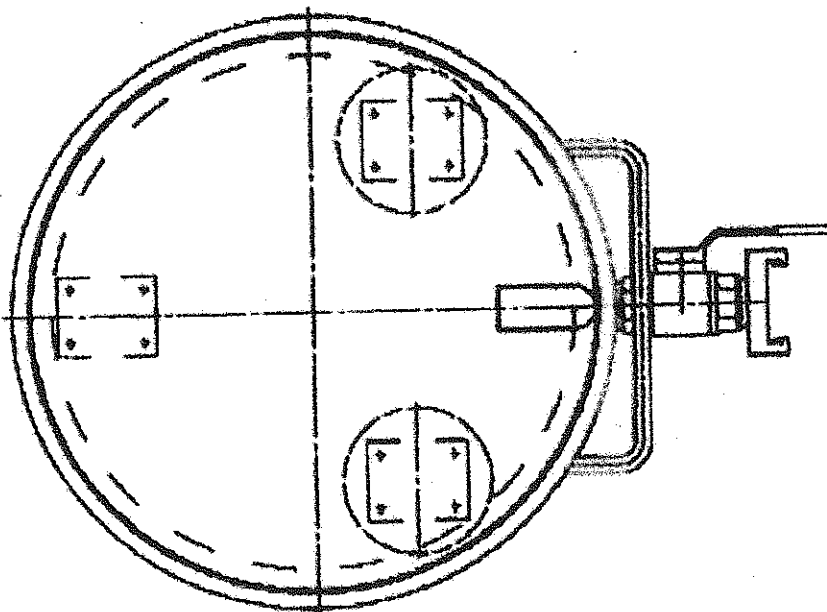
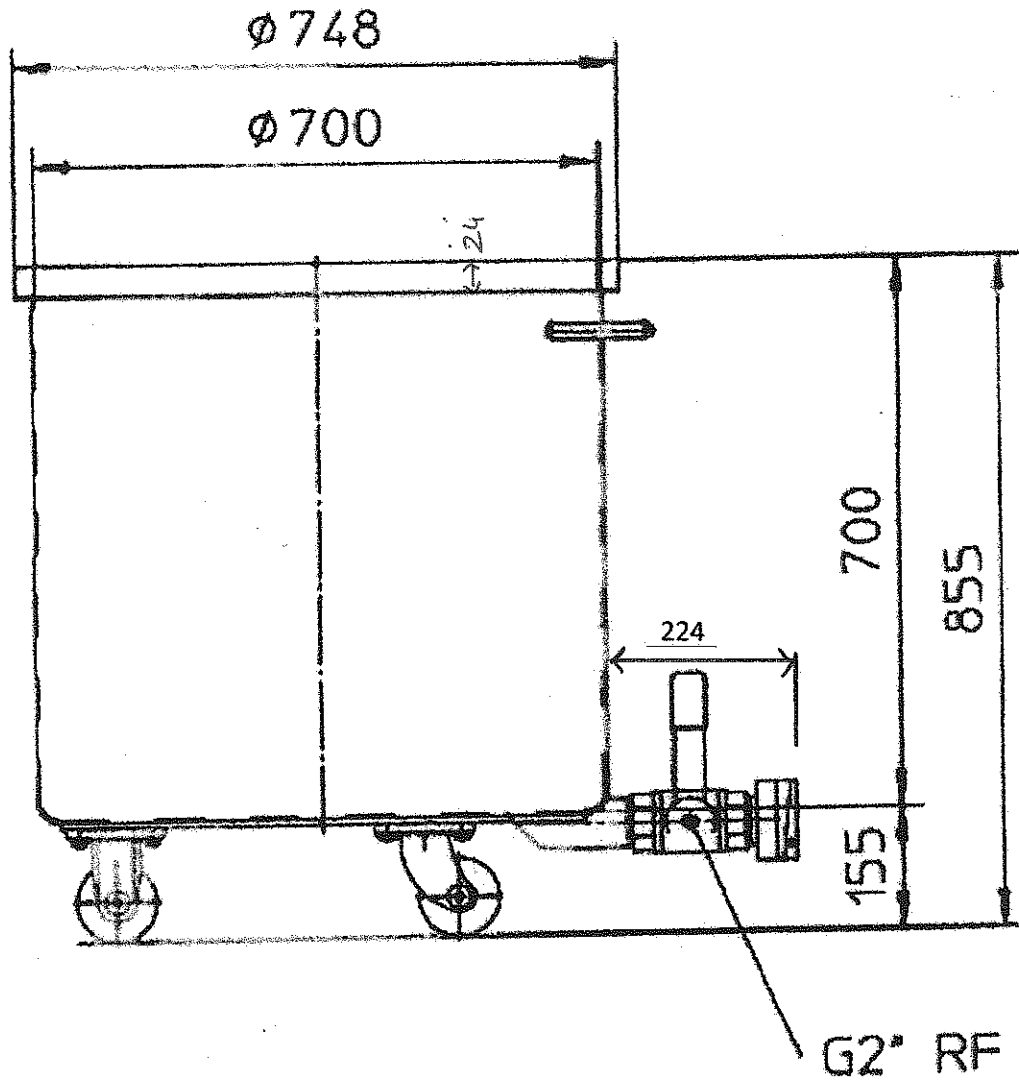
With valve retaining clip.

For fixing the feeder valve.

Jashu
26/11/18

P
21.11.2018

Dimension Sheet



Farhan
26/11/18

[Signature]
21/10-2018

Specification and Drawing of the vessel

(PI No. 18170050/DR; Item Code 4350052)

Mixing Vessel Type 3 (Small Vessel 50 L / Dia 400 mm)

Movable Vessel

Mixing container suitable for press-out system.

Type: 400
Gross volume: 50l
Material: Stainless Steel -SS 304
Inside diameter: 400mm 0/+3.0mm
Outside diameter: 446mm 0/+3.0mm
Inside height: 400mm 0/+3.0mm

Overall height: 560mm 0/+3.0mm

With upper rim strengthened.

With 2 fixed- and 2 caster wheels.

Inside: inside sanded welds (smooth with K150)
upper surface of strengthened rim ground with K120.

Outside: Paint finish gray, RAL-7037

Without suspension pivots
Floor reinforced by a plate
With eccentric discharge pipe, Size 1 1/2".
With ball valve size: 1 1/2"
Material of ball valve: stainless

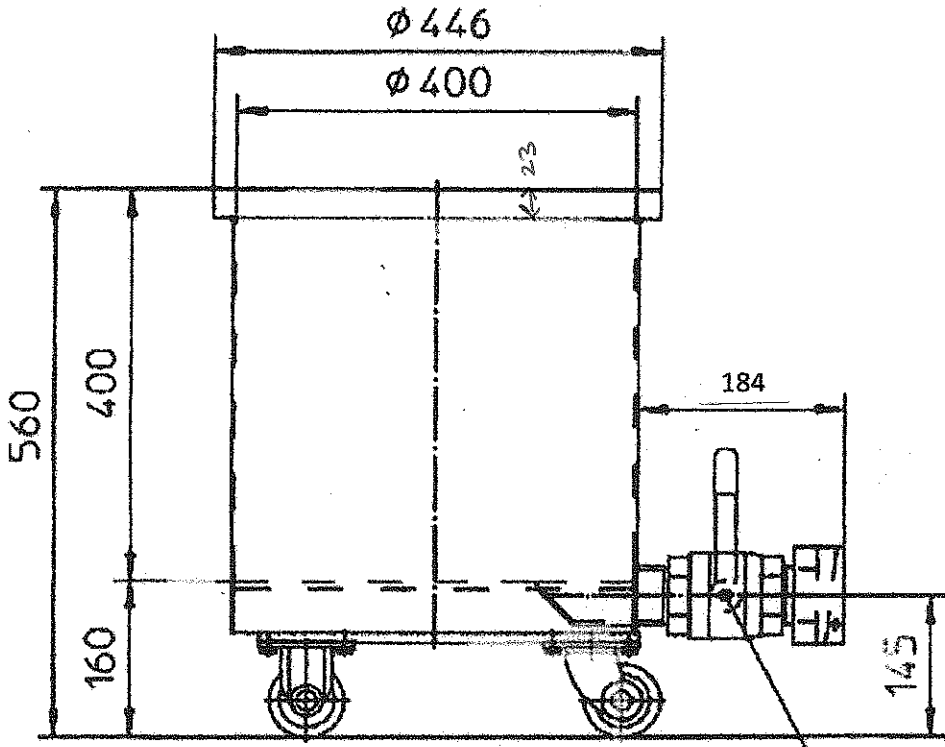
With attachable flange, Size 1 1/2"
For fastening the feeder valve.

With valve retaining clip.
For fixing the feeder valve.

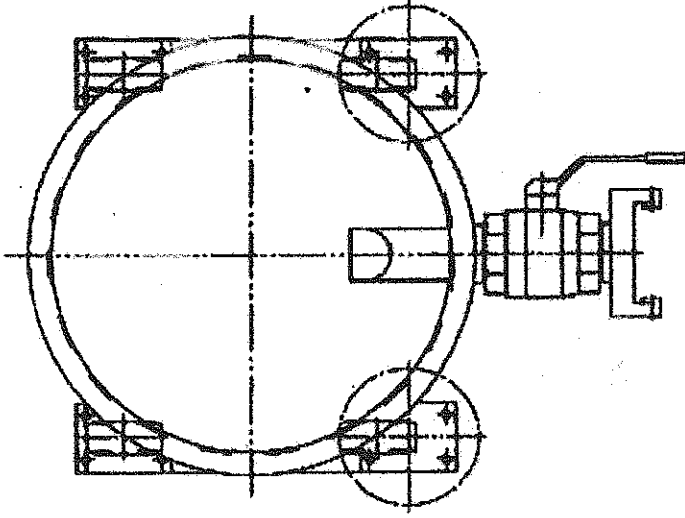
Rach
26/11/18

P. M...
21.11.2018

Dimension sheet



G1 1/2" RF



Paolo
20/11/18

[Signature]
21.11.2018