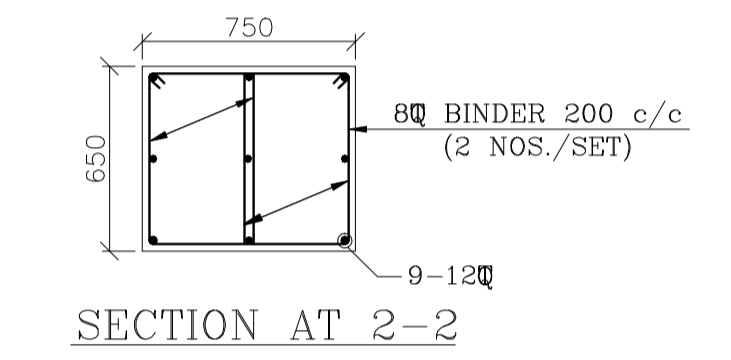
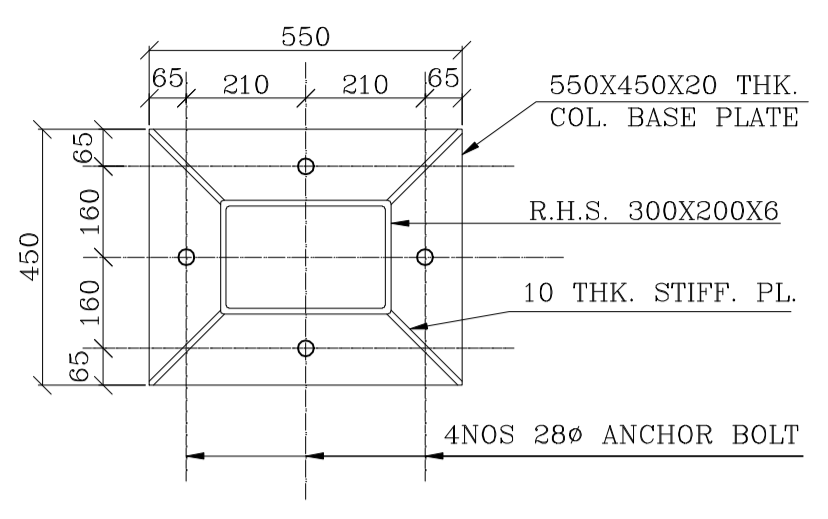


PLAN AT PEDESTAL TOP LEV.

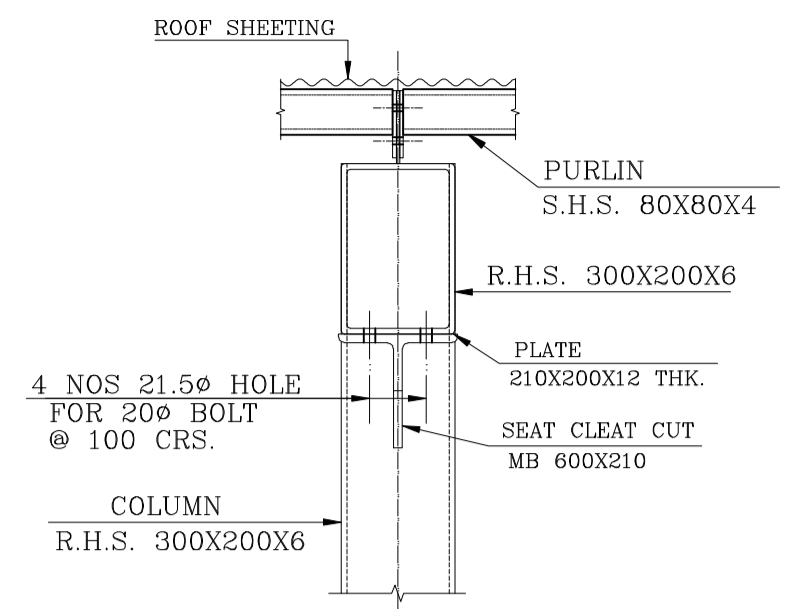


DETAIL OF STEEL COLUMN WITH RAFTER AND FOUNDATION

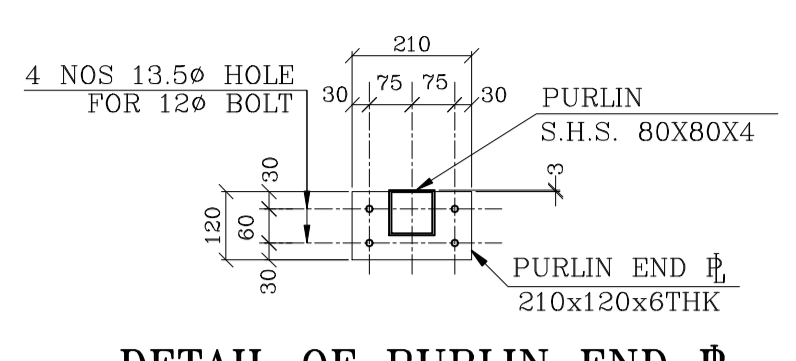
SECTION AT 1-1



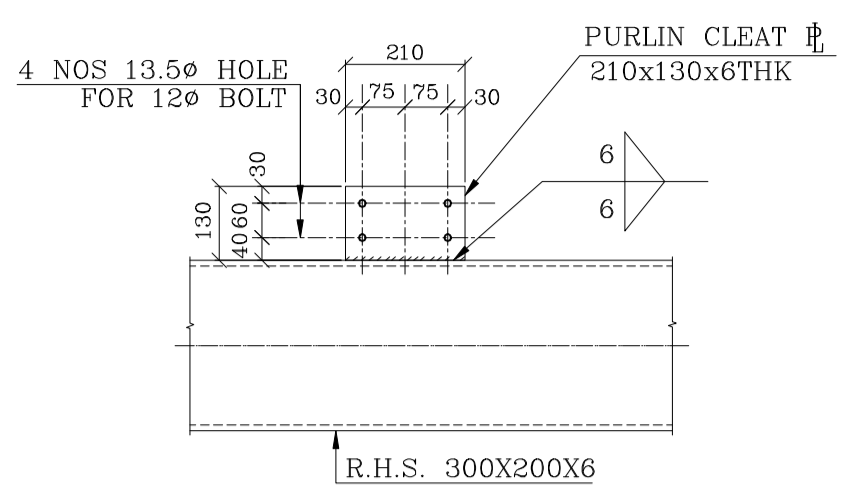
VIEW 3-3
DETAIL OF COLUMN BASE PLATE



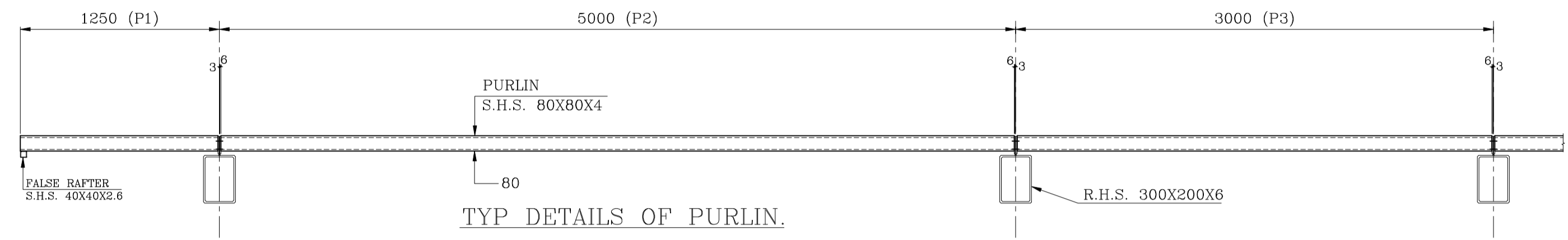
VIEW AT 4-4



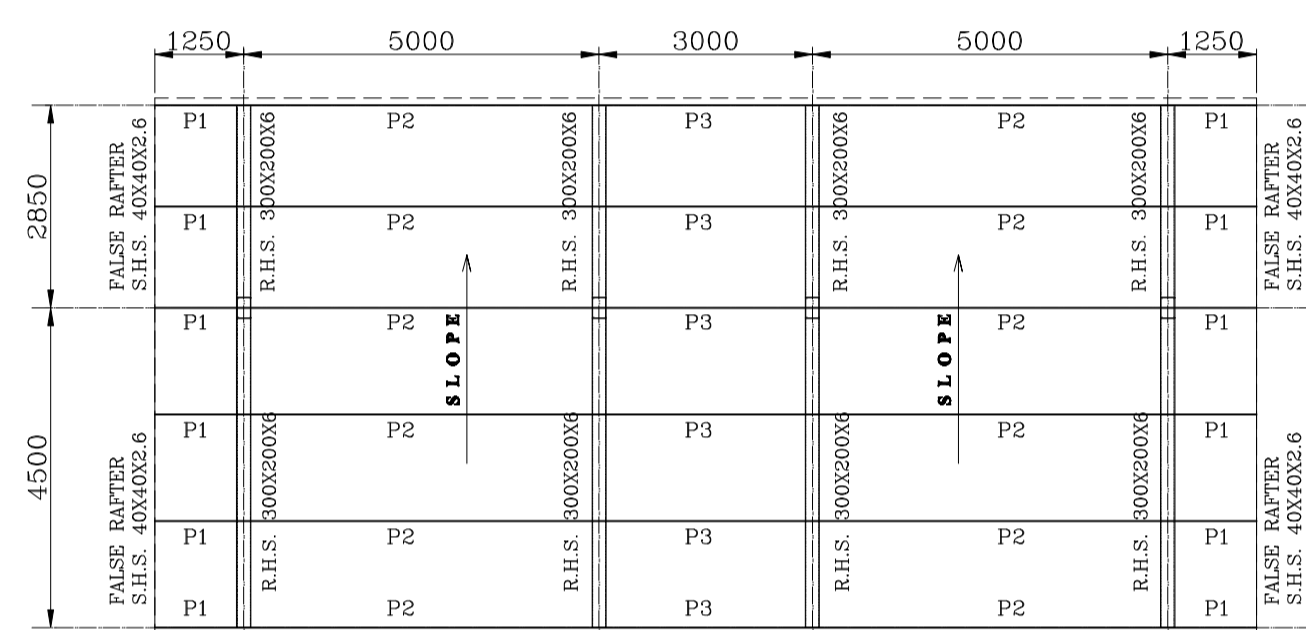
DETAIL OF PURLIN END



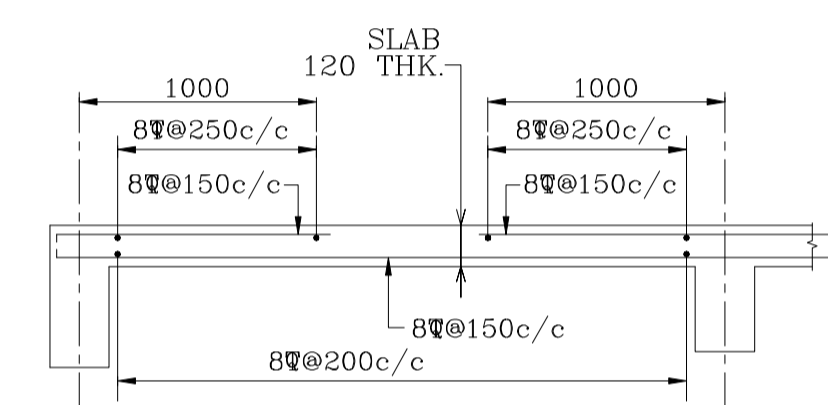
DETAIL OF PURLIN CLEAT



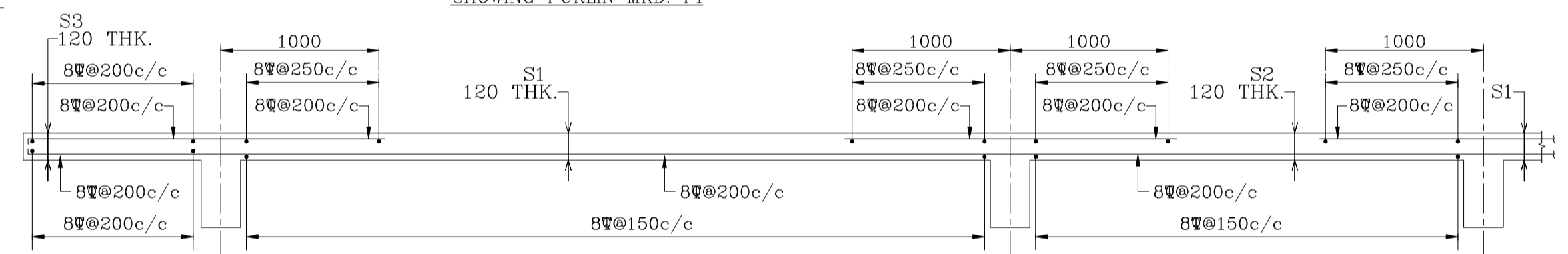
TYP DETAILS OF PURLIN.



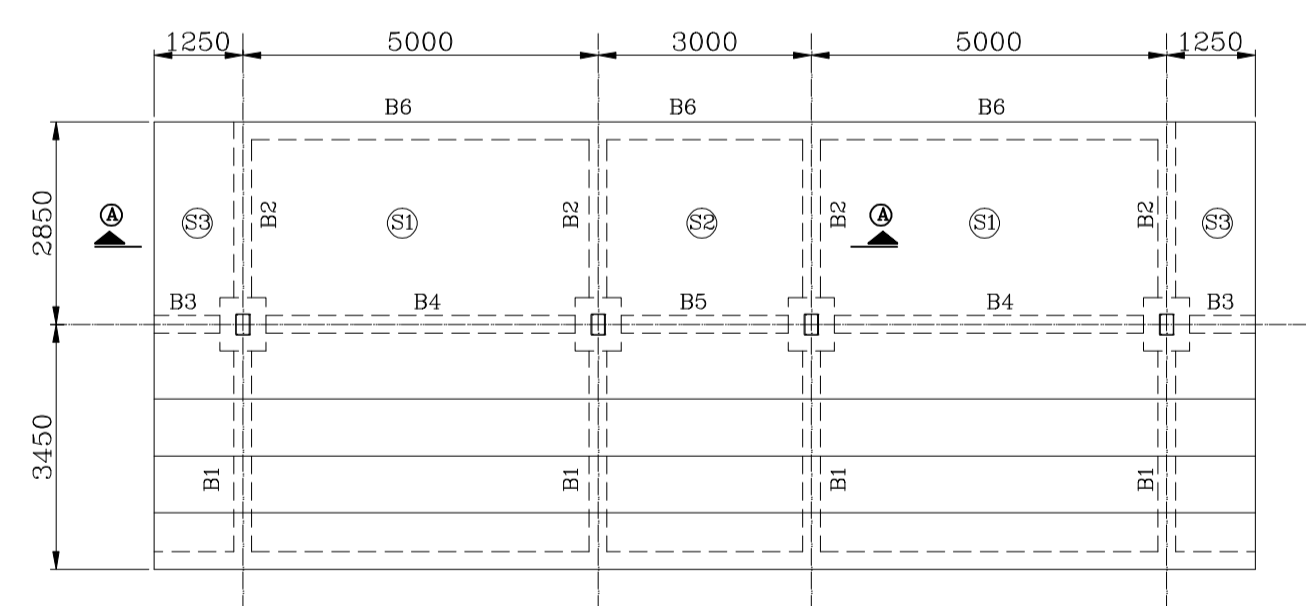
RAFTER PLAN
SHOWING PURLIN MKD. P1



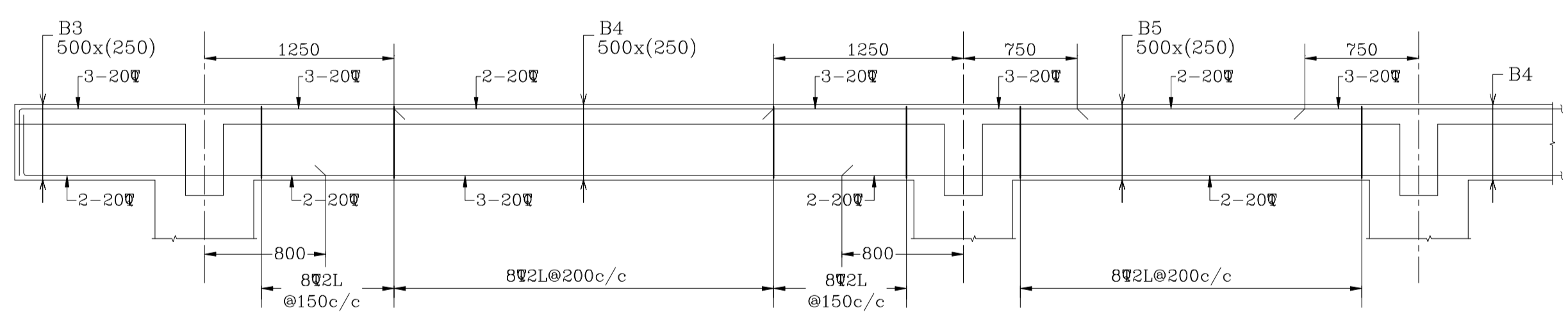
TYPICAL SECTION OF SLAB IN SHORTER SPAN



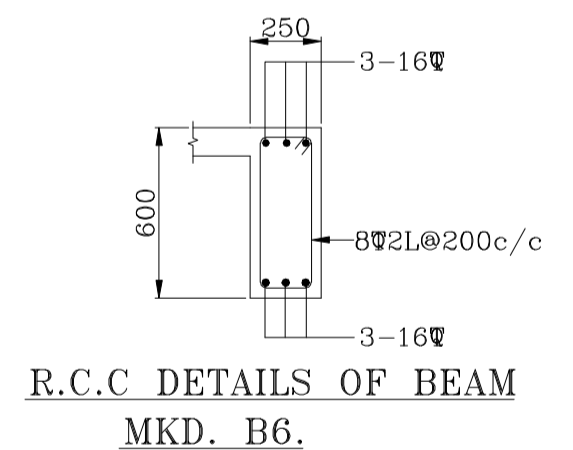
SECTION - A-A



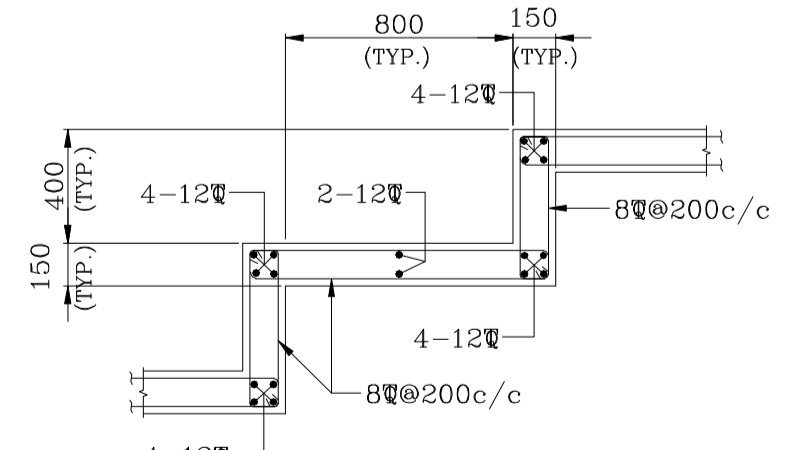
LAYOUT PLAN OF SLAB & BEAM



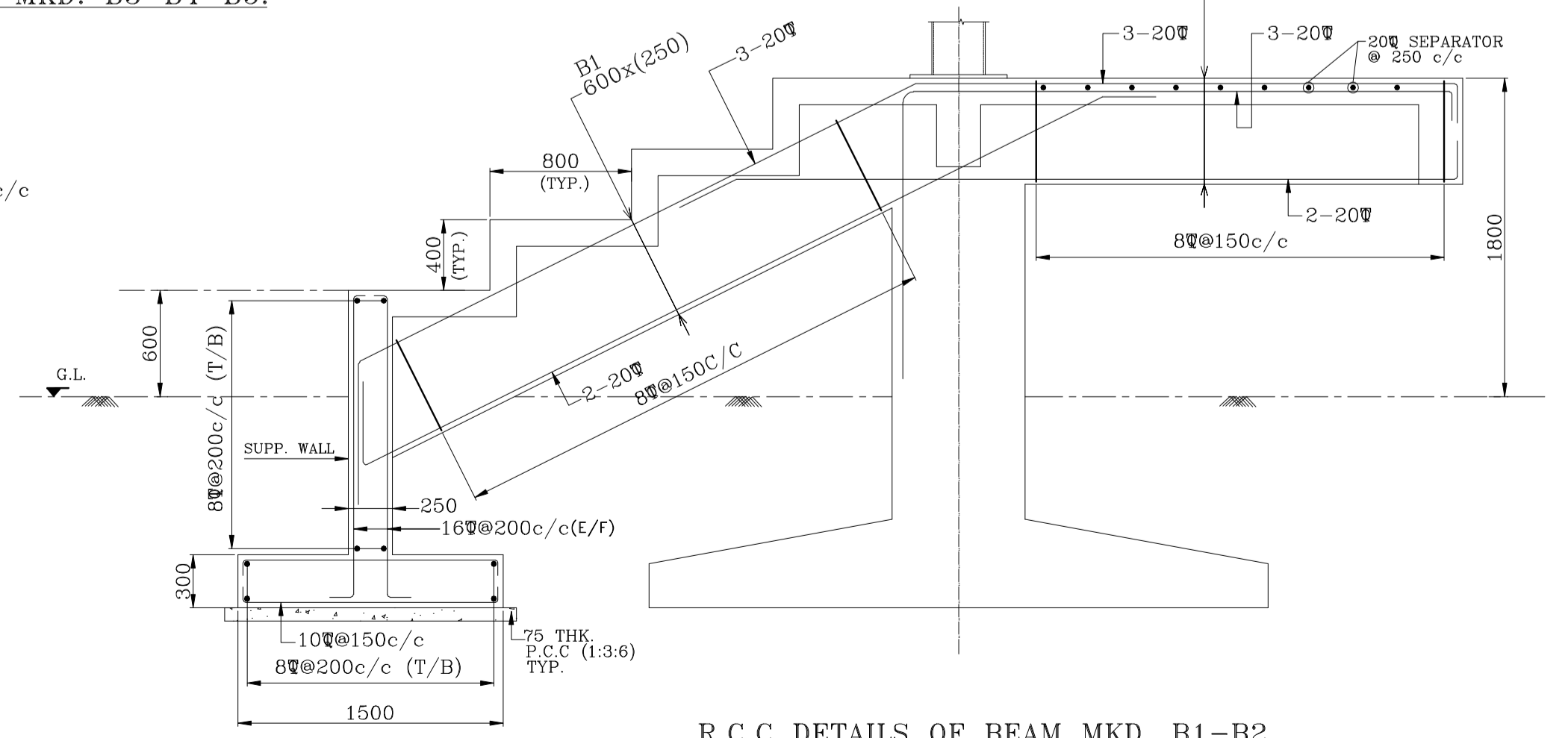
R.C.C DETAILS OF BEAM MKD. B3-B4-B5.



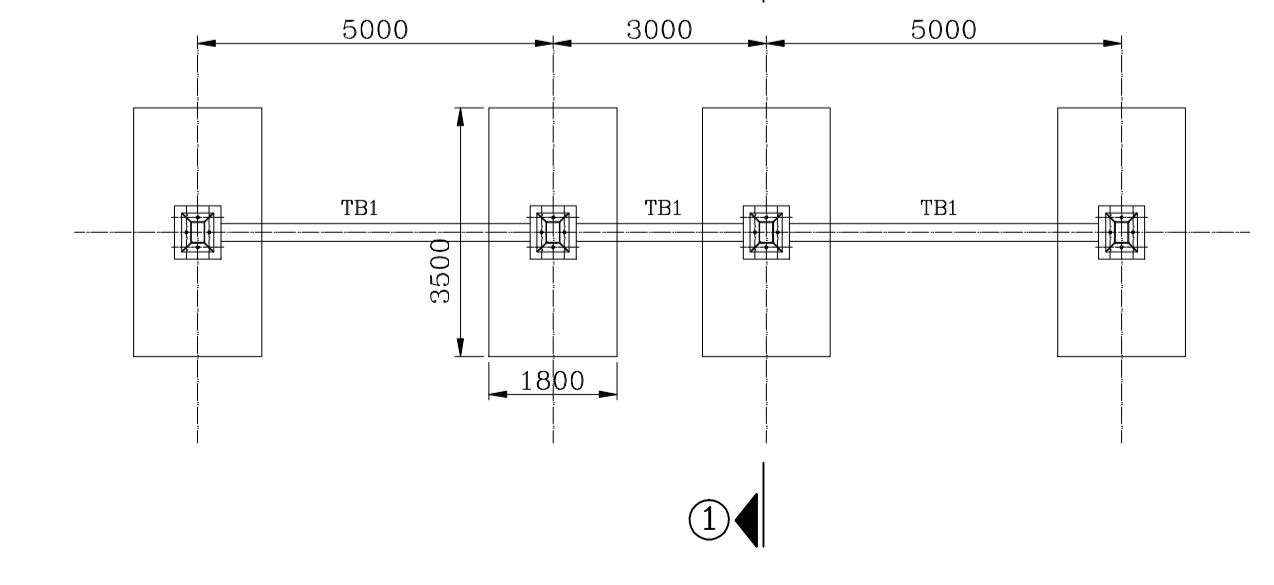
R.C.C DETAILS OF BEAM MKD. B6.



R.C. DETAILS OF GALLERY



R.C.C DETAILS OF BEAM MKD. B1-B2.



LAYOUT PLAN OF COLUMN, FOUNDATION & TIE BEAM



TYPICAL SECTION OF TIE BEAM MKD. TB1

- NOTES**
- ALL DIMENSIONS ARE IN mm. UNLESS OTHERWISE STATED.
 - EARTH WILL BE RAMMED WHEREVER NECESSARY.
 - THE GRADE OF CONCRETE TO BE USED IS OF M20 (1:1.5:3).
 - ALL REINFORCING STEEL FOR R.C.C. WORK SHALL BE COLD TWISTED DEFORMED ROD OF GRADE Fe-415 CONFORMING TO I.S. CODE : 1786 - 1979 (LATEST).
 - CUTTING, BENDING, BINDING, PLACING & LAPPING OF REINFORCING STEEL SHALL BE AS PER STANDARD PRACTICES, CONFORMING TO I S CODE : 2502 (LATEST).
 - CONCRETING WORK SHALL CONFORM TO I.S. CODE : 456.
 - MIN. CLEAR CONC. COVER SHALL BE AS FOLLOWS :
SLAB - 15 mm, BEAM - 30 mm, FOUNDATION - 50 mm,
COL - 40 mm, THE BEAM - 30 mm.
 - FOR ALL R.C.C. WORK, WATER & CEMENT RATIO SHALL BE BETWEEN 0.50 TO 0.55 WITH A MAX. SLUMP 100.
 - CUTTING LENGTH OF ALL MEMBERS TO BE DETERMINED BY FULL SCALE SHOP FLOOR LAYOUT BEFORE FABRICATION.
 - WELDING SHALL CONFORM TO I.S. 816 - 1979.
 - ALL SQUARE AND RECTANGLE HOLLOW SECTION SHALL BE GRADE - yst.310. (TATA MAKE)
 - ALL M.S BLACK BOLTS & NUTS SHALL CONFORM TO I.S - 1363(PART 1 TO 3)
 - ALL STRUCTURAL STEEL SHALL BE WELDED CONNECTION UNLESS OTHERWISE SPECIFIED.
 - ALL STRUCTURAL STEEL WORK SHALL BE PROVIDED WITH A COAT OF RED OXIDE PRIMER AFTER FABRICATION & TWO COATS APPROVE QUALITY SYNTHATIC ENAMEL PAINTS.

RELEASE STATUS:- FOR WORKING

PROJECT:-
CONSTRUCTION OF PAVILION & STORE ROOM AT CRICKET GROUND, BRBNMPL, SALBONY

DRAWING TITLE :-
GALLERY & STEEL ROOFING DRAWING.

CLIENT:-
BHARATIYA RESERVE BANK NOTE MUDRAN (P) LIMITED

	CREATIVE FORUM PVT. LTD. ARCHITECTS, ENGINEERS & PLANNERS 1485 BOKULI BAGAN ROAD CALCUTTA - 700025 creativeforum@gmail.com	
	DRAWN - S.MONDAL REVISION - APPROVED - R. DATTA	CHECKED - T.K.B. DATE - 02.04.2019 JOB NO. - 541

DRAWING NO.-CF/84/SALBONY/PAVILION/A1/S01/R1