

BHARATIYA RESERVE BANK NOTE MUDRAN (P) LIMITED*(Wholly own subsidiary of Reserve Bank of India)*

Note Mudran Nagar, Salboni- 721132, Dist.: West Midnapore

TENDER FOR SUPPLY OF STEEL COT & MATTRESS FOR CISF USE AT BRBNMPL, SALBONI

[T.E No.070/SAL/PUR/2021-22 dated 17/02/2022]

LIMITED TENDER ENQUIRY (LTE)**CORRIGENDUM / AMENDMENT NO. 1, Date: 04/03/2022**

Tender No. : 070/SAL/PUR/2021-22, dated: 17/02/2022

Tender Name: SUPPLY OF STEEL COT & MATTRESS FOR CISF USE AT BRBNMPL, SALBONI

The following points of the referred tender are amended as per details given below.

Sl. No.	Description	Original details as Per Tender	Details as per Corrigendum/ Amendment no. 1 dtd. 04/03/2022	Reference Page number of Tender
1.	Date of Sale of tender documents	From 17/02/2022 to 10/03/2022 during office hours	From 17/02/2022 to 21/03/2022 during office hours	3
2.	Closing date and time for receipt of tenders	11/03/2022 at 11.30 hours	22/03/2022 at 11.30 hours	1, 3
3.	Time and date of opening of tenders	11/03/2022 at 11.45 hours	22/03/2022 at 11.45 hours	1, 3, 6, 70
4.	<u>Technical Specifications</u>	As per mentioned below	As specified in below	37,38 & 40

AS PER ORIGINAL TENDER**Section VII: Technical Specifications at page No. 37 & 38****SUPPLY OF FURNITURE ITEMS CONFORMING TO FOLLOWING TECHNICAL SPECIFICATIONS AND PARAMETERS****1. Scheduled : I : Steel Cot****Technical Specification of Steel Cot**

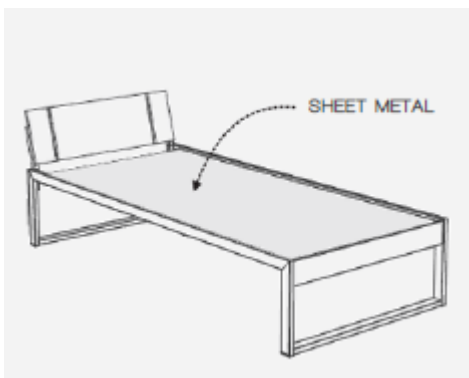
BHARATIYA RESERVE BANK NOTE MUDRAN (P) LIMITED

(Wholly own subsidiary of Reserve Bank of India)

Note Mudran Nagar, Salboni- 721132, Dist.: West Midnapore

TENDER FOR SUPPLY OF STEEL COT & MATTRESS FOR CISF USE AT BRBNMPL, SALBONI

[T.E No.070/SAL/PUR/2021-22 dated 17/02/2022]



BHARATIYA RESERVE BANK NOTE MUDRAN (P) LIMITED*(Wholly own subsidiary of Reserve Bank of India)***Note Mudran Nagar, Salboni- 721132, Dist.: West Midnapore****TENDER FOR SUPPLY OF STEEL COT & MATTRESS FOR CISF USE AT BRBNMPL, SALBONI****[T.E No.070/SAL/PUR/2021-22 dated 17/02/2022]**

Schedule No.	Item Name	Parameters	Brief Description of Goods / Item Specification
I	Steel Cot	Requirement	Single Cot
		Material	Steel
		Type of Product	Without storage single Bed with Headboard and sheet Metal Mattress Base with 4 post/stand for Mosquito Net
		Structure	Composite rectangular structure
		Frame	Rectangular Legs for more stability
		Design	Design strictly as per pic attached
		Protection	Water resistant, Corrode/rust resistant
		Dimension (Without Headboard) (ft)	(6.8 x 3.24 x 1.37) feet
		Dimension with Headboard (ft)	(6.8 x 3.24 x 2.40) feet
		Finish	Curved at the edges , premium finish
		Additional Benefit	(i) Mosquito Net stand frame fitted on all four corners (ii) Small attachment for keeping blanket, bed sheet, etc. as shown in pic. (iii) Hanging side holder attachment for keeping newspaper / magazine/ or any medicine
		Warranty	Minimum Two (02) Years warranty from the date of acceptance of material
		Make / Brand	Godrej / Usha / Damro or any other reputed Make / Brand
		Manufacturer Authorisation Certificate	If bidder is not a Principal Manufacturer

BHARATIYA RESERVE BANK NOTE MUDRAN (P) LIMITED*(Wholly own subsidiary of Reserve Bank of India)***Note Mudran Nagar, Salboni- 721132, Dist.: West Midnapore****TENDER FOR SUPPLY OF STEEL COT & MATTRESS FOR CISF USE AT BRBNMPL, SALBONI****[T.E No.070/SAL/PUR/2021-22 dated 17/02/2022]****Declaration By Tenderer****COMPLIANCE STATEMENT FOR SUPPLY OF VARIOUS FURNITURE ITEMS****TECHNICAL:****1. Scheduled : I : Steel Cot at page 40**

Sl. No.	Parameter	Minimum requirement as per tender	Offered by Bidder	Remarks
1.	Requirement	Single Cot	Yes	
2.	Material	Steel	Yes	
3.	Type of Product	Without storage single Bed with Headboard and sheet Metal Mattress Base with 4 post/stand for Mosquito Net	Yes	
4.	Frame	Rectangular Legs for more stability	Yes	
5.	Design	Design strictly as per pic attached	Yes	
6.	Protection	Water resistant, Corrode/rust resistant	Yes	
7.	Dimension (Without Headboard) (ft)	(6.8 x 3.24 x 1.37) feet	Yes	
8.	Dimension with Headboard (ft)	(6.8 x 3.24 x 2.40) feet	Yes	
9.	Finish	Curved at the edges , premium finish	Yes	
10.	Additional Benefit	(i) Mosquito Net stand frame fitted on all four corners (ii) Small attachment for keeping blanket, bed sheet, etc. as shown in pic. (iii) Hanging side holder attachment for keeping newspaper / magazine/ or any medicine	ACCEPTED	
11.	Warranty	Minimum Two (02) Years warranty from the date of acceptance of material, in which manufacturer/supplier agrees to repair or replace components that fail in materials or workmanship within specified warranty period.	ACCEPTED	
12.	Make / Model	Godrej / Usha / Damro or any other reputed Make / Brand	Offered Make: Model (if any): Country of Origin_____	Specify by the bidder
13.	Manufacturer Authorisation Certificate	Bidder to submit Manufacturer Authorisation Certificate for the offered make, if bidder is not a Principal Manufacturer	ACCEPTED	

BHARATIYA RESERVE BANK NOTE MUDRAN (P) LIMITED

(Wholly own subsidiary of Reserve Bank of India)

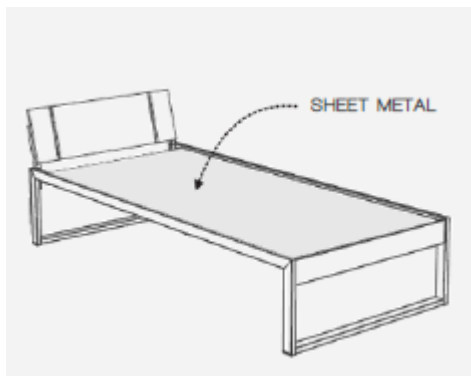
Note Mudran Nagar, Salboni- 721132, Dist.: West Midnapore

TENDER FOR SUPPLY OF STEEL COT & MATTRESS FOR CISF USE AT BRBNMPL, SALBONI

[T.E No.070/SAL/PUR/2021-22 dated 17/02/2022]

AMENDED AND SHOULD BE READ AS

Section VII: Technical Specifications



BHARATIYA RESERVE BANK NOTE MUDRAN (P) LIMITED*(Wholly own subsidiary of Reserve Bank of India)***Note Mudran Nagar, Salboni- 721132, Dist.: West Midnapore****TENDER FOR SUPPLY OF STEEL COT & MATTRESS FOR CISF USE AT BRBNMPL, SALBONI****[T.E No.070/SAL/PUR/2021-22 dated 17/02/2022]**

Schedule No.	Item Name	Parameters	Brief Description of Goods / Item Specification
I	Steel Cot	Requirement	Single
		Material	Powder Coated Steel –Mix of 1.2 mm and 0.9 mm thick frame and pipes of S-304 grade or better than this grade
		Type of Product	Without storage single Bed with headboard and sheet Metal Mattress Base with 4 post/stand mosquito Net
		Structure	Composite rectangular structure
		Frame	Rectangular Legs for more stability
		Design	Modern Design strictly as per pic attached
		Protection	Water resistant, Corrode/rust resistant
		Dimension (Without Headboard) (ft)	(6.8 x 3.24 x 1.37) feet
		Dimension with Headboard (ft)	(6.8 x 3.24 x 2.40) feet
		Finish	Curved at the edges , premium finish
		Additional Benefit	i) Mosquito Net Stand Frame fitted on all four corners ii) Small attachment for keeping blanket, bed sheet etc. as shown in pic. iii) Hanging side holder attachment for keeping newspaper/ magazine/ or any medicine
		Warranty	Minimum Two (02) Years warranty from the date of acceptance of material
		Make / Brand	Godrej / Usha / Damro or any other reputed Make / Brand
Manufacturer Authorisation Certificate	If bidder is not a Principal Manufacturer		

Declaration By Tenderer**COMPLIANCE STATEMENT FOR SUPPLY OF VARIOUS FURNITURE ITEMS****1. Scheduled : I : Steel Cot**

Sl. No.	Parameter	Minimum requirement as per tender	Offered by Bidder	Remarks
1.	Requirement	Single Cot	Yes	
2.	Material	Powder Coated Steel –Mix of 1.2 mm and 0.9 mm thick frame and pipes of S-304 grade or better than this grade	Yes	

BHARATIYA RESERVE BANK NOTE MUDRAN (P) LIMITED*(Wholly own subsidiary of Reserve Bank of India)***Note Mudran Nagar, Salboni- 721132, Dist.: West Midnapore****TENDER FOR SUPPLY OF STEEL COT & MATTRESS FOR CISF USE AT BRBNMPL, SALBONI****[T.E No.070/SAL/PUR/2021-22 dated 17/02/2022]**

3.	Type of Product	Without storage single Bed with Headboard and sheet Metal Mattress Base with 4 post/stand for Mosquito Net	Yes	
4.	Frame	Rectangular Legs for more stability	Yes	
5.	Design	Design strictly as per pic attached	Yes	
6.	Protection	Water resistant, Corrode/rust resistant	Yes	
7.	Dimension (Without Headboard) (ft)	(6.8 x 3.24 x 1.37) feet	Yes	
8.	Dimension with Headboard (ft)	(6.8 x 3.24 x 2.40) feet	Yes	
9.	Finish	Curved at the edges , premium finish	Yes	
10.	Additional Benefit	(i) Mosquito Net stand frame fitted on all four corners (ii) Small attachment for keeping blanket, bed sheet, etc. as shown in pic. (iii) Hanging side holder attachment for keeping newspaper / magazine/ or any medicine	ACCEPTED	
11.	Warranty	Minimum Two (02) Years warranty from the date of acceptance of material, in which manufacturer/supplier agrees to repair or replace components that fail in materials or workmanship within specified warranty period.	ACCEPTED	
12.	Make / Model	Godrej / Usha / Damro or any other reputed Make / Brand	Offered Make: _____ Model (if any): _____ Country of Origin _____	Specify by the bidder
13.	Manufacturer Authorisation Certificate	Bidder to submit Manufacturer Authorisation Certificate for the offered make, if bidder is not a Principal Manufacturer	ACCEPTED	

()

Seal

Name and Signature with date

Note: These changes are applicable at all other places of tender including Page Nos. given above**All other terms and conditions remain unchanged.*****Bidders who have already submitted their sealed offer may submit the corrected tender Fees as mentioned above.***

For & on behalf of BRBNMPL, Salboni

--sd--

(P.K.Biswal)

Deputy General Manager (MMD)

BRBNMPL, Salboni